



OWNER'S MANUAL

Model number

700286-2 (Nylon brush)

700316-2 (Polypropylene brush)



BERCO

Rotary Broom

for

LAWN, YARD, & GARDEN TRACTORS

BELT OR SHAFT DRIVE P.T.O.

* ASSEMBLY

* REPAIR PARTS

* OPERATION

* MAINTENANCE

CAUTION:

**READ & FOLLOW ALL SAFETY RULES & INSTRUCTIONS
BEFORE OPERATING YOUR EQUIPMENT**

LIMITED WARRANTY

Conditions and Products Covered:

BERCOMAC guarantees any part of the product or accessory manufactured by BERCOMAC and found in the reasonable judgment of BERCOMAC to be defective in material and or workmanship will be repaired or replaced by an authorized dealer without charge up to our maximum labor rates and pre-established times. For replacement parts only standard ground freight services are covered. This warranty extends to the original retail purchaser only and is not transferable to any subsequent purchasers.

Warranty Period

(from date of the original retail purchase):

- Residential use: 1 year
- Commercial or rental use: 90 days

Exceptions Noted Below: the following items are guaranteed by the original manufacturer and have their own warranty, conditions and limited time:

- Tire Chains: 90 days
- Engines (supplied with BERCOMAC equipment): 2 years

Please refer to the engine manufacturer's warranty statement included with the unit. BERCOMAC is not authorized to handle warranty adjustments on engines.

Items and Conditions NOT Covered:

This warranty does not cover the following:

- Pick-up or delivery charges or in-home services fees.
- Any damage or deterioration of the unit, parts and or finish of these due to normal use, wear and tear, or exposure.
- Cost of regular use or maintenance service or parts, such as gas, oil, lubricants, tune-up parts, and adjustments.
- Any part or accessory which has been altered, modified, misused, neglected, accidentally damaged or not properly installed, maintained, stored or repaired not in accordance with the instructions in the owner's manual.
- Repair due to normal wear and or any wear items such as shear pins, bolts, belts, etc.
- Expedited freight fee services for replacement parts.
- Shear bolts and shear pins are to be considered as a preventive measure not as an assured protection, any damages resulting from the lack of shear bolts breakage are not covered.

NOTE: All warranty work must be performed by an authorized dealer using original (manufacturer) replacement parts.

Note: Bercomac reserves the right to change or improve the design of any part or accessory without assuming any obligation to modify any product previously manufactured.

Instructions for Obtaining Warranty Services:

Contact dealer where equipment was purchased or any other BERCOMAC Service Dealer to arrange service at their dealership. To locate a dealer convenient to you, access our website at www.bercomac.com.

Bring the product and your proof of purchase (sales receipt) to the BERCOMAC dealer.

Owner's Responsibilities:

BERCOMAC's defective equipment or part must be returned to an authorized dealer within the warranty period for repairs. In the event that defective merchandise must be returned to manufacturer for repairs, freight fees are prepaid and a written authorization from BERCOMAC must be obtained by dealer prior to the shipment. This warranty extends only to equipment operated under normal conditions. To validate a warranty claim, it is the user's responsibility to maintain and service the unit as specified in the owner's manual at their expense.

General Conditions:

The sole liability of BERCOMAC with respect to this warranty shall be strictly and exclusively repair and replacement as mentioned herein. BERCOMAC shall not have any liability for any other costs, loss or damage, including but not limited to, any incidental or consequential loss or damage.

In particular, without being limited to, BERCOMAC shall have no liability or responsibility for:

- Travel time, overtime, after hours time or other extraordinary repair charges or relating to repairs and or replacements outside of normal business hours.
- Rental of like or similar replacement equipment during the period of any, repair or replacement work.
- Any communicating or travel charges.
- Loss or damage to person or property other than that covered by the terms of this warranty.
- Any claims for lost revenue, lost profit or any similar costs as a result of damage or repair.
- Attorney's fees.

BERCOMAC's responsibility in respect to claims is limited to making the required repairs or replacement without charge up to our maximum labor rates and pre-established times and no claim of breach of warranty shall be cause for cancellation or rescission of the contract of sale of any product or accessory.

This warranty gives you specific legal rights. You may also have other rights, which vary from state to state.

TABLE OF CONTENTS

	PAGE
INTRODUCTION	2
SAFETY PRECAUTIONS	3
SAFETY DECALS	5
ASSEMBLY	
Step 1: Rotary Broom Preparation	6
Step 2: Rotary Broom Installation	7
Handle Installation	7
Verify Tire Pressure	7
OPERATION	
Rotary Broom Angle Adjustment	8
Pressure on the Brush Adjustment	8
General Sweeping	8
Snow Sweeping	8
Lawn Dethatching and Leaf Raking	8
MAINTENANCE & DISMOUNTING	
Maintenance	9
Brush Replacement	9
Dismounting	9
End of Season Storage	9
TROUBLESHOOTING	10
TORQUE SPECIFICATION TABLE	11
PARTS BREAKDOWN AND LISTS	
Rotary Broom	12
ATTACHMENTS	15

INTRODUCTION

TO THE PURCHASER

This new attachment was carefully designed to give years of dependable service. This manual has been provided to assist in the safe operation and servicing of your attachment.

NOTE: All photographs and illustrations in the manual may not necessarily depict the actual models or attachment, but are intended for reference only and are based on the latest product information available at the time of publication.

Familiarize yourself fully with the safety recommendations and operating procedures before putting the machine to use. Carefully read, understand and follow these recommendations and insist that they be followed by those who will use this attachment.



THIS SAFETY ALERT SYMBOL IDENTIFIES AN IMPORTANT SAFETY MESSAGE IN THIS MANUAL THAT HELPS YOU AND OTHERS AVOID PERSONAL INJURY OR EVEN DEATH. DANGER, WARNING, AND CAUTION ARE SIGNAL WORDS USED TO IDENTIFY THE LEVEL OF HAZARD. HOWEVER, REGARDLESS OF THE HAZARD, BE EXTREMELY CAREFUL.

DANGER: Signals an extreme hazard that will cause serious injury or death if recommended precautions are not followed.

WARNING: Signals a hazard that may cause serious injury or death if the recommended precautions are not followed.

CAUTION: Signals a hazard that may cause minor or moderate injury if the recommended precautions are not followed.

Record your attachment serial number and purchase date in the section reserved below (there is no serial number on the subframe). Your dealer requires this information to give you prompt, efficient service when ordering replacement parts. Use only genuine parts when replacements are required.

If warranty repairs are required please present this registration booklet and original sales invoice to your selling dealer for warranty service.

This manual should be kept for future reference.

Please check if you have received all the parts for your kit with the list of the bag and the list of the box.

SERIAL NUMBER : _____

PURCHASE DATE : _____

In this manual, right and left sides are determined by sitting on the tractor seat facing forward.

In this manual, "attachment" means accessories that you install on the tractor, such as, snowblower, rotary broom, blade, rotary tiller, cab, subframe, etc...

SAFETY PRECAUTIONS

Careful operation is your best insurance against an accident. Read this section carefully before operating the tractor and the rotary broom. All operators, no matter how experienced they may be, should read this and other manuals related to the tractor and rotary broom before operating. It is the owner's legal obligation to instruct all operators in how to safely operate the rotary broom.

TRAINING



This symbol, "Safety Alert Symbol", is used throughout this manual and on the attachment's safety labels to warn of the possibility of serious injury. Please take special care in reading and understanding the safety precautions before operating the tractor or the rotary broom.

1. Read this owner's manual carefully. Be thoroughly familiar with the controls and proper use of the rotary broom. Know how to stop the unit and disengage the controls quickly.
2. Never allow children to operate the tractor nor the rotary broom. Never allow adults to operate the tractor nor the rotary broom without proper instructions.
3. No one should operate the tractor nor the rotary broom while intoxicated or while taking medication that impairs the senses or reactions.
4. Keep the area of operation clear of all persons, particularly small children and pets.

PREPARATION

1. Thoroughly inspect the area where the rotary broom is to be used and remove door mats, all foreign objects and the like.
2. Disengage all clutches and shift into neutral before starting engine.
3. Do not operate the rotary broom without wearing adequate outer garments. Avoid loose fitting clothing that can get caught in moving parts. Wear footwear that will improve footing on slippery surfaces.
4. Handle fuel with care, it is highly flammable.
 - a) Use approved fuel container.
 - b) Never add fuel to a running engine or hot engine.
 - c) Fill fuel tank outdoors with extreme care. Never fill fuel tank indoors.
 - d) Never fill containers inside a vehicle, or on a truck or a trailer bed with a plastic liner. Always place containers on the ground, away from your vehicle, before filling.

- e) When practical, remove gas-powered equipment from the truck or trailer and refuel it on the ground. If this is not possible, then refuel such equipment on a trailer with a portable container, rather than from a gasoline dispenser nozzle.
 - f) Keep the nozzle in contact with the rim of the fuel tank or container opening at all times, until refuelling is complete. Do not use a nozzle lock-open device.
 - g) Replace fuel cap securely and wipe up spilled fuel.
 - h) If fuel is spilled on clothing, change clothing immediately.
4. Never attempt to make any adjustments while the engine (motor) is running (except when specifically recommended by manufacturer).
 5. Always wear safety glasses or eye shields during operation or while performing an adjustment or repair to protect eyes from foreign objects that may be thrown from the rotary broom.
 6. **Never modify the rotary broom or any part without the written consent from the manufacturer.**

OPERATION

1. Do not put hands or feet near or under rotating parts.
2. Exercise extreme caution when operating on or crossing gravel drives, walks, or roads. Stay alert for hidden hazards or traffic. Do not carry passengers.
3. After striking a foreign object, stop the engine (motor), disconnect the wire from the spark plug(s) and keep wire away to prevent accidental starting. Thoroughly inspect the rotary broom for any damage and repair damage before using.
4. If the unit should start to vibrate abnormally, stop the engine (motor) and check immediately for the cause. Vibration is generally a warning of trouble.

SAFETY PRECAUTIONS

5. Take all possible precautions when leaving the machine unattended. Disengage the power take-off, lower the attachment, set the parking brake, stop the engine and remove the key.
6. When cleaning, repairing or inspecting the rotary broom, make certain that all moving parts have stopped. Disconnect wire from the spark plug(s) and keep wire away to prevent accidental starting.
7. Do not run the engine indoors, except when starting the engine and for transporting in or out of the building. Do not operate or let motor run in a storage area without ventilation because gas contains carbon monoxide which is odorless, colorless and can cause death.
8. Never sweep across the face of slopes. Exercise extreme caution when changing direction on slopes. Do not attempt to clear a steep slope.
9. Never operate the rotary broom without proper guards, plates, or other safety protective devices in place
10. Never tolerate bystanders in the working zone. Never sweep in the direction of bystanders, the brush might throw gravel or debris that can break or damage property.
11. To sweep snow, use tire chains approved by the manufacturer. You must use 100 lbs. of rear counterweight for better traction and a greater stability at all times when using a rotary broom that is installed on the front of a tractor.
12. Never operate the rotary broom at high transport speeds on slippery surfaces. Use care when backing.
13. Do not carry passengers.
14. Disengage power to rotary broom when it is transported or not in use
15. Never operate the rotary broom without good visibility or light.
16. Keep the brush away from heat sources or flames.
17. Always wear a dust mask when working in a dusty environment.

MAINTENANCE AND STORAGE

1. Check the mounting bolts at frequent intervals to make sure that they are properly tightened
2. Never store the machine with fuel in the fuel tank inside a building where ignition sources are present such as hot water and space heaters, clothes dryers, and the like. Allow the engine to cool before storing in any enclosure.
3. Always refer to the owner's manual when you store the rotary broom.
4. Maintain or replace safety and instruction labels, as necessary.
5. Inspect the tractor's air filter every day. Clean it or replace it. Change the oil more often when working in dusty conditions. See the tractor owner's manual.

WHENEVER YOU SEE THIS SYMBOL



IT MEANS:

WARNING!

BECOME ALERT !



WARNING



TO PREVENT INJURIES AND FOR MORE TRACTION WHEN USING AN ATTACHMENT:

- Rear counterweight of 100 lbs. minimum is required to counterbalance the attachment's weight.
- Tractor manufacturer approved tire chains are required.
- Do not operate on a slope greater than 10°.
- When dismantling an attachment remove rear counterweights.

SAFETY DECALS

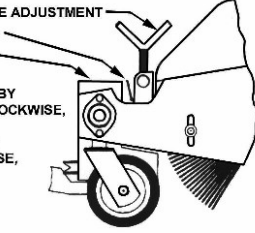
REPLACE IF DECALS ARE DAMAGED
SEE PARTS BREAKDOWN FOR DECAL LOCATION

IMPORTANT

READ & FOLLOW INSTRUCTIONS IN OWNER'S MANUAL BEFORE OPERATING.

ADJUSTMENT

- BRUSH PRESSURE HANDLE ADJUSTMENT
- BRUSH PRESSURE GAUGE
- TOP OF SQUARE BOX



- BRUSH PRESSURE INCREASED BY TURNING HANDLE COUNTER CLOCKWISE, MOVING GAGE UP.
- BRUSH PRESSURE DECREASED BY TURNING HANDLE CLOCKWISE, MOVING GAGE DOWN.

GENERAL SWEEPING

- HARD SURFACE SWEEPING DUST OR SNOW, ADJUST THE GAGE FLUSH WITH TOP OF SQUARE BOX, RE-ADJUST TO COMPENSATE FOR BRUSH WEAR.

LAWN DETHATCHING & LEAF RAKING

- LOWER THE BROOM ONTO A HARD SURFACE & TURN THE HANDLE ADJUSTMENT CLOCKWISE TO LIFT THE BRUSH 1" FROM GROUND, RE-ADJUST AS NEEDED.

102386

Decal #102386

WARNING

TO AVOID PERSONAL INJURY:

- READ AND UNDERSTAND OWNER'S MANUAL BEFORE OPERATION.
- KEEP ALL BYSTANDERS AWAY FROM SWEEPING AREA.
- EYE PROTECTION MUST BE WORN AT ALL TIMES BY OPERATOR AND ANYONE WITHIN THE DISCHARGE AREA OF THE BRUSH.
- NEVER SWEEP TOWARD BYSTANDERS, BUILDINGS, CARS, ETC...
- BEFORE ADJUSTING OR SERVICING THE SWEEPER DISENGAGE BROOM, TURN OFF ENGINE, REMOVE KEY, SET PARKING BRAKE AND ALLOW ALL MOVING PARTS TO STOP.
- KEEP BRUSH MATERIAL AWAY FROM INTENSE HEAT AND FLAME.
- DO NOT ALLOW PASSENGERS ON SWEEPER OR TRACTOR.
- DO NOT OPERATE SWEEPER OR TRACTOR UNLESS GUARDS AND ALL SHIELDS ARE IN PLACE. KEEP AWAY FROM ROTATING PARTS.
- ALWAYS USE A DUST MASK WHEN WORKING IN DUSTY CONDITIONS.
- MINIMUM 100 LBS REAR COUNTERWEIGHT IS REQUIRED TO COUNTERBALANCE BROOM'S WEIGHT.
- IN WINTER, APPROVED TIRE CHAINS ARE REQUIRED.

102384

Decal #102384

ASSEMBLY

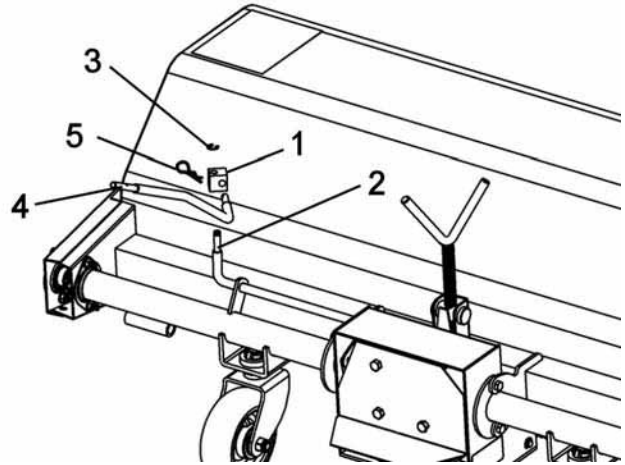
STEP 1 ROTARY BROOM PREPARATION

IMPORTANT: TORQUE ALL BOLTS ACCORDING TO TORQUE SPECIFICATION TABLE (SEE TABLE OF CONTENTS) WHEN STATED: TIGHTEN FIRMLY. REFER TO PARTS BREAKDOWN SECTION FOR PARTS IDENTIFICATION

See adaptor mounting Instruction Booklet for adaptor preparation and installation of the adaptor.

Install the joint block (item 1) on the latch rod (item 2) and secure with a retaining ring (item 3).

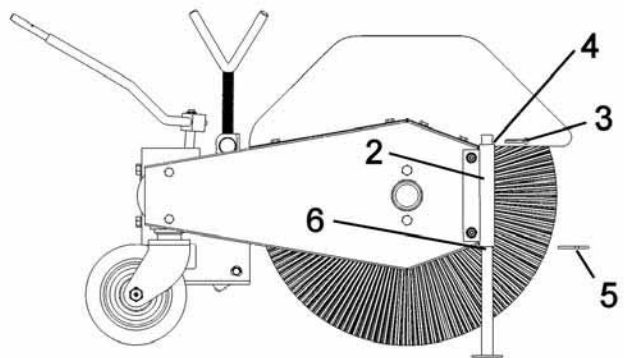
Install the control rod (item 4) in the joint block (item 1) and secure with a 2.5 mm hair pin (item 5).



Prepare broom

Install the parking stands (item 1) in the stand holders (item 2). Secure with a 5/32 x 1" cotter pin (item 3) in the upper hole (item 4) and a hair pin 2.5 mm (item 5) in the lower hole (item 6) of each parking stand.

This will allow the broom to rest on the stand.



Install the parking stands

ASSEMBLY

STEP 2 ROTARY BROOM INSTALLATION



WARNING



TO PREVENT INJURIES:

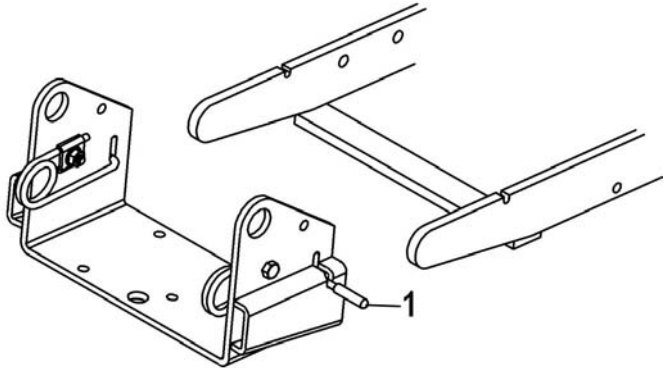
Stop the motor.

Apply parking brake.

Remove the ignition key.

Disconnect the wire from the spark plug(s) and keep away from spark plug(s) to prevent accidental starting.

Attach the rotary broom to the subframe as shown. Make sure the rotary broom is pushed in until locked into place by the springs (item 1).



Install the rotary broom

Follow the instructions for the belt installation in the Adaptor Instruction Booklet and the Subframe Owner's Manual.

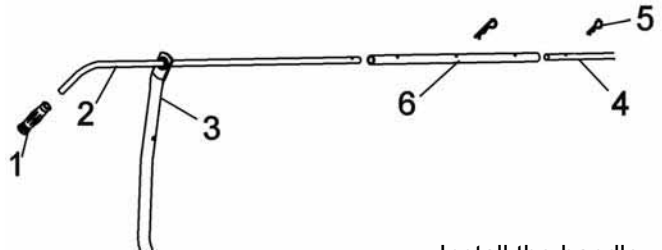
HANDLE INSTALLATION

Install the 1/2 x 3" handgrip (item 1) on the handle (item 2).

Insert the handle through the plastic grommet on the handle support (item 3) and on the control rod (item 4).

Secure with a 2.5 mm hair pin (item 5).

NOTE: If the subframe includes a handle extension (item 6), install it between the control rod (item 4) and the handle (item 2).



Install the handle

VERIFY TIRE PRESSURE:

Check and adjust tractor tire pressure as follows:

Front tires: 14-15 psi

Back tires: 7-8 psi

Tire pressure must be even on both sides of the tractor.



DANGER



NEVER OPERATE THE ROTARY BROOM WITHOUT:

Brush hood

Belt guard

Gear box guard

Extension guard and any other safety protection devices in place.

OPERATION



WARNING



BEFORE MAKING ANY ADJUSTMENTS:
 Stop the motor.
 Apply parking brake.
 Remove the ignition key.
 Disconnect the wire from the spark plug(s) and keep away from spark plug(s) to prevent accidental starting.

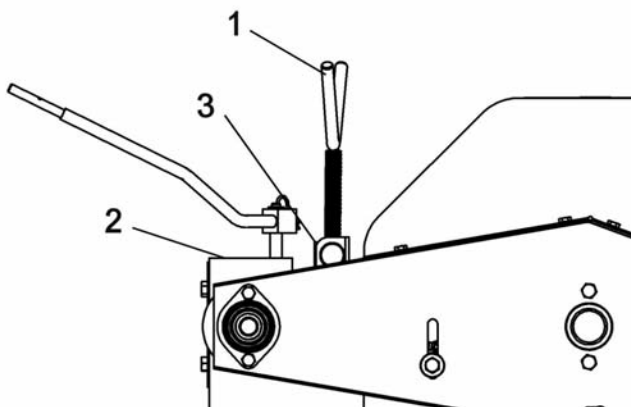
ROTARY BROOM ANGLE ADJUSTMENT

By turning the handle counter clockwise you unlock the latch and by pulling or pushing, you set the angle 0° to 20° on each side.

PRESSURE ON THE BRUSH ADJUSTMENT

By turning the adjustment screw (item 1) counter clockwise, the gauge (item 3) moves higher and the pressure of the brush on the ground increases. By turning the adjusting screw clockwise, the gauge moves lower on the gear box frame and the pressure of the brush on the ground decreases.

IMPORTANT: Maintain the gauge (item 3) even with the top of the gear box frame (item 2) or lower for general hard surface sweeping. Adjust frequently to compensate for brush wear. Remember to sweep with the tips of the bristles like a broom and not with the sides of the bristles like a mop. Too much pressure can decrease the brush life up to 95%.



Adjust the pressure on the brush



WARNING



TO PREVENT INJURIES AND FOR MORE TRACTION WHEN USING AN ATTACHMENT:

- Rear counterweights of 100 lbs. minimum are required to counter-balance attachment's weight.
- Tractor manufacturer approved tire chains are required.
- Do not operate on slopes greater than 10°.
- When dismantling an attachment remove rear counterweights.**

GENERAL SWEEPING

Minimize dust by reducing brush speed and by sweeping after rain or on a day with high moisture.

SNOW SWEEPING

Adjust the gauge (item 3) to be even with the top of gear box frame (item 2). The broom works well for light snow removal.

Sweep with the wind blowing in the direction of broom discharge.

WARNING: Foreign objects in the snow may be thrown faster than the snow itself.

Frequently clean the snow and ice accumulation from the top and bottom of the broom hood.

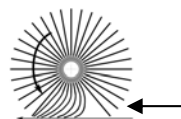
LAWN DETHATCHING AND LEAF RAKING:

Lower the broom on a hard surface and lift the brush 1" from the ground by turning the adjusting screw clockwise. This adjustment is normally satisfactory but you may raise or lower depending upon grass height.

Low brush speed and ground speed is best for lawn dethatching and leaf raking.

Never sweep with the sides of bristles!

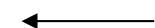
Sweep with the tips!
Do not mop!



Too much pressure=
Shortens brush life!



Flick action



Road surface

MAINTENANCE & DISMOUNTING

MAINTENANCE

1. Check oil level in gear box every fifty hours and fill to plug level with SAE-90-EP oil when necessary.
2. Grease the wheel axles after every eight hours of use.
3. Roller chain: do not lubricate when used in dusty conditions. After use, wash clean and lubricate.
4. Adjust the roller chain frequently by moving the chain idler sprocket to give 1/2" deflection.
5. Frequently clean the interior and exterior of hood. Dirt, mud, ice, etc, accumulation adds weight on the brush and could result in premature wear of brush.

BRUSH REPLACEMENT:

See parts breakdown section for parts identification.

1. Remove the hood (item 53).
2. Loosen the chain idler sprocket (item 24).
3. Remove the bolts (item 22) from both flangettes (item 68) that holds the brush hollow shaft.
4. Remove the brush hollow shaft (item 52) from the broom frame (item 31).
5. Loosen the set screw and remove the right bearing (item 50) from the brush hollow shaft
6. Remove the bolt (item 51) which retains the brush to the brush hollow shaft.
7. Remove the brush tube from axle.
8. Install the new brush by reversing the procedure.
9. Adjust the tension on the chain by moving the idler sprocket to give a 1/2" deflection on the chain.

DISMOUNTING

1. Select a level surface, set parking brake, stop the engine, and remove the ignition key to prevent accidental starting.
2. Straighten the broom perpendicular with the tractor.
3. Set the parking stands in their most extended position Make sure the brush bristles never touch the ground.
4. Lower the broom to the ground.
5. Remove the hair pin from the handle and remove handle.
6. Loosen and remove the belt from the tractor drive pulley and idlers. Disconnect and remove the driveline if applicable.
7. Detach the broom from the subframe by lifting the spring locks and pulling back the broom one side at a time.
8. Remove the rear counterweights.

END OF SEASON STORAGE

1. Clean the broom and inside of the hood.
2. Lubricate all grease fittings and all moving parts.
3. Store broom on parking stand. Make sure the brush bristles never touch the ground.
4. If brush bristles are exposed to direct sunlight, protect the bristles with a tarp.
5. Store the broom in a dry place.

TROUBLESHOOTING

PROBLEM	POSSIBLE CAUSES	CORRECTIVE ACTION
<p>Brush wears out prematurely or does not wear out evenly.</p> <p>The brush turns jerkily.</p>	<p>The pressure on the brush is not well adjusted.</p> <p>Too much pressure on the brush, it will wear out up to 5 times faster.</p>	<p>Reduce the pressure on the brush when on the ground.</p> <p>Adjust when needed to compensate for the wearing out of the brush.</p> <p>Always sweep with the tips of the bristles like a broom and not with the sides of the bristles like a mop.</p> <p>Maintain the gauge even with the top of the gear box frame or lower when sweeping hard surfaces.</p>
<p>The brush does not sweep well.</p>	<p>Debris accumulation.</p>	<p>Clean the inside and outside of the hood frequently during operation.</p> <p>Dirt, mud, ice, etc.. accumulation adds weight on the brush and could result in premature wear of the brush.</p>
<p>The brush is too aggressive when lawn dethatching or leaf raking.</p> <p>The brush does not turn on the grass.</p>	<p>Too much pressure on the brush.</p>	<p>Lower the broom on a hard surface and lift brush 1" from the ground by turning the adjusting screw clockwise.</p> <p>Adjust from time to time if necessary.</p>
<p>The chain wears out prematurely.</p>	<p>Inappropriate lubrication.</p>	<p>Do not lubricate the chain during operation. Wait until the job is finished.</p> <p>Wash the rotary broom and lubricate the chain.</p> <p>Let the broom turn a few moments so the oil penetrates in the chain.</p>
<p>The sprocket wears out prematurely.</p>	<p>Chain is not adjusted.</p>	<p>Check the chain adjustment frequently (too tight, too loose).</p>
<p>The brush turns backwards.</p>	<p>The belt is not installed in the right way.</p>	<p>Remove the belt and reinstall as explained in the subframe Owner's Manuel, section broom installation.</p>
<p>Loss of steering.</p>	<p>Too much pressure on the brush.</p>	<p>Reduce pressure on the brush. If problem persists, contact your dealer for more information.</p>
<p>The bristles take a bad form or shape.</p>	<p>The broom was not stored on the parking stands.</p>	<p>Wash the broom with warm water or warm steam. Leave in raised position and let it turn a few turns. The brush should take its original shape.</p>

TORQUE SPECIFICATION TABLE

GENERAL TORQUE SPECIFICATION TABLE USE THE FOLLOWING TORQUES WHEN SPECIAL TORQUES ARE NOT GIVEN

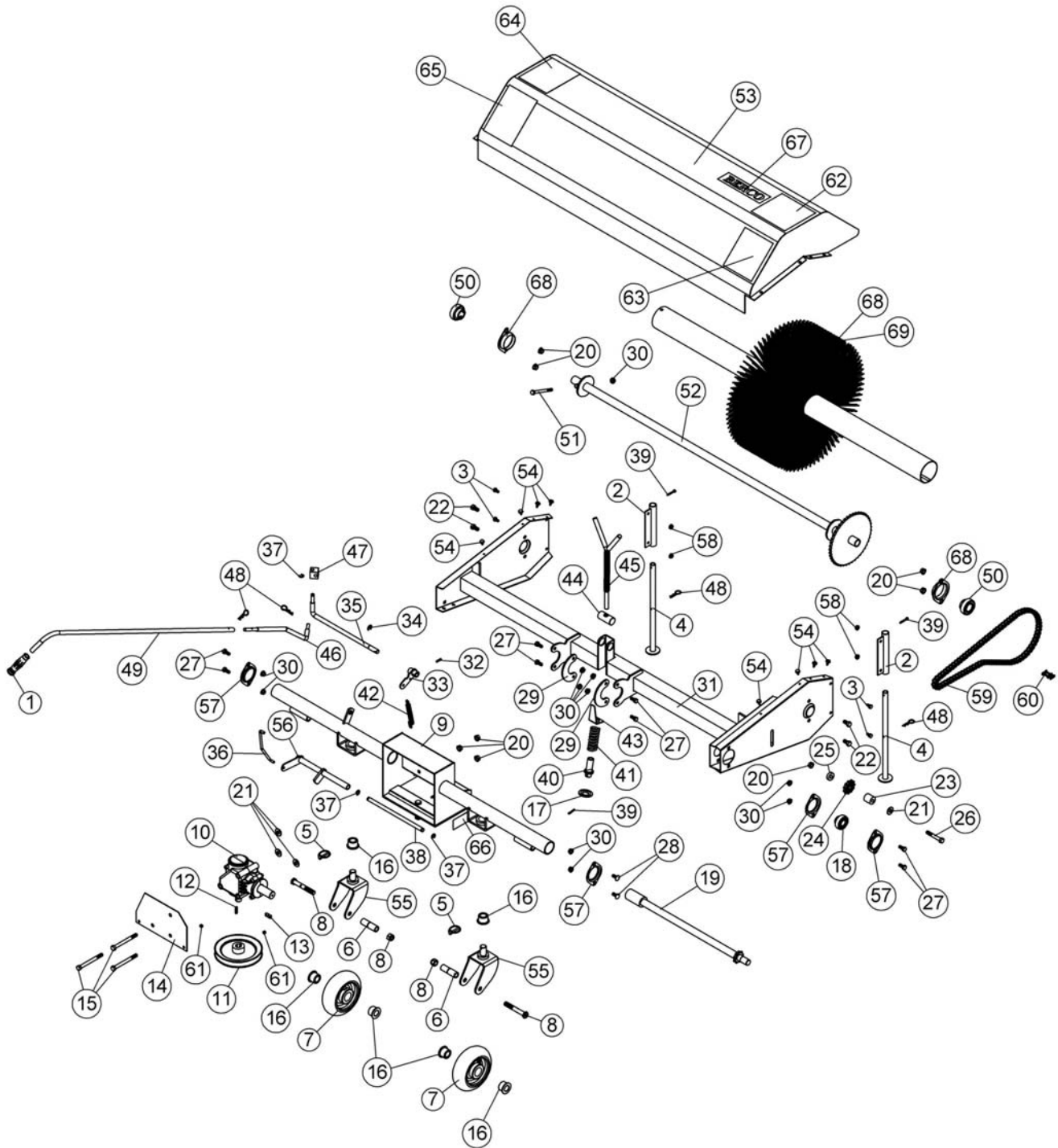
NOTE: These values apply to fasteners as received from supplier, dry or when lubricated with normal oil. They do not apply if special graphited or moly disulphide greases or other extreme pressure lubricants are used. This applies to both UNF and UNC threads.

SEE Grade No.		2				5				8 *			
BOLT HEAD IDENTIFICATION MARKS AS PER GRADE NOTE MANUFACTURING MARKS WILL VARY		TORQUE				TORQUE				TORQUE			
BOLT SIZE		POUNDS FEET		NEWTON-METERS		POUNDS FEET		NEWTON-METERS		POUNDS FEET		NEWTON-METERS	
Inches	Millimetre	Min.	Max.	Min.	Max.	Min.	Max.	Min.	Max.	Min.	Max.	Min.	Max.
1/4"	6.35	5	6	6.8	8.13	9	11	12.2	14.9	12	15	16.3	30.3
5/16"	7.94	10	12	13.6	16.3	17	20.5	23.1	27.8	24	29	32.5	39.3
3/8"	9.53	20	23	27.1	31.2	35	42	47.5	57	45	54	61	73.2
7/16"	11.11	30	35	40.7	47.4	54	64	73.2	86.8	70	84	94.9	113.9
1/2"	12.7	45	52	61	70.5	80	96	108.5	130.2	110	132	149.2	179
9/16"	14.29	65	75	88.1	101.6	110	132	149.2	179	160	192	217	260.4
5/8"	15.88	95	105	128.7	142.3	150	180	203.4	244.1	220	264	298.3	358
3/4"	19.05	150	185	203.3	250.7	270	324	366.1	439.3	380	456	515.3	618.3
7/8"	22.23	160	200	216.8	271	400	480	542.4	650.9	600	720	813.6	976.3
1"	25.4	250	300	338.8	406.5	580	696	786.5	943.8	900	1080	1220.4	1464.5

*Thick nuts must be used with grade 8 bolts.

METRIC BOLT TORQUE SPECIFICATIONS							
		COARSE THREAD			FINE THREAD		
Size Screw	Grade No.	Pitch (mm)	Pounds Feet	Newton-Meters	Pitch (mm)	Pounds Feet	Newton-Meters
M6	4T	1.00	3.6 - 5.8	4.9 - 7.9	-	-	-
	7T		5.8 - 9.4	7.9 - 12.7		-	-
	8T		7.2 - 10	9.8 - 13.6		-	-
M8	4T	1.25	7.2 - 14	9.8 - 19	1.00	12 - 17	16.3 - 23
	7T		17 - 22	23 - 29.8		19 - 27	25.7 - 36.6
	8T		20 - 26	27.1 - 35.2		22 - 31	29.8 - 42
M10	4T	1.50	20 - 25	27.1 - 33.9	1.25	20 - 29	27.1 - 39.3
	7T		34 - 40	46.1 - 54.2		35 - 47	47.4 - 63.7
	8T		38 - 46	51.5 - 62.3		40 - 52	54.2 - 70.5
M12	4T	1.75	28 - 34	37.9 - 46.1	1.25	31 - 41	42 - 55.6
	7T		51 - 59	69.1 - 79.9		56 - 68	75.9 - 92.1
	8T		57 - 66	77.2 - 89.4		62 - 75	84 - 101.6
M14	4T	2.00	49 - 56	66.4 - 75.9	1.50	52 - 64	70.5 - 86.7
	7T		81 - 93	109.8 - 126		90 - 106	122 - 143.6
	8T		96 - 109	130.1 - 147.7		107 - 124	145 - 168
M16	4T	2.00	67 - 77	90.8 - 104.3	1.50	69 - 83	93.5 - 112.5
	7T		116 - 130	157.2 - 176.2		120 - 138	162.6 - 187
	8T		129 - 145	174.8 - 196.5		140 - 158	189.7 - 214.1
M18	4T	2.00	88 - 100	119.2 - 136	1.50	100 - 117	136 - 158.5
	7T		150 - 168	203.3 - 227.6		177 - 199	239.8 - 269.6
	8T		175 - 194	237.1 - 262.9		202 - 231	273.7 - 313
M20	4T	2.50	108 - 130	146.3 - 176.2	1.50	132 - 150	178.9 - 203.3
	7T		186 - 205	252 - 277.8		206 - 242	279.1 - 327.9
	8T		213 - 249	288.6 - 337.4		246 - 289	333.3 - 391.6

PARTS BREAKDOWN / NOMENCLATURE DES PIÈCES ROTARY BROOM / BALAI ROTATIF



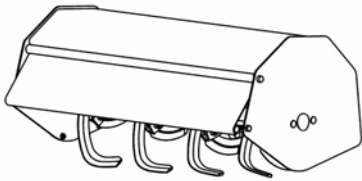
PARTS LIST / LISTE DES PIÈCES

Ref. Réf.	English description	Description française	Qty. Qté.	Part # Pièce #
1	Handgrip	Poignée	1	102062
2	Stand holder	Support de pied	2	102392
3	Hex. bolt 1/4" n.c. x 1/2"	Boulon hex. 1/4" n.c. x 1/2"	4	O/L
4	Parking stand	Pied de stationnement	2	102394
5	Lynch pin	Goupille à anneau	2	104481
6	Wheel bushing	Douille de roue	2	103483
7	Wheel 6"	Roue 6"	2	103484
8	Axle and nut	Essieu et écrou	2	102372
9	Gear box frame	Châssis de la boîte d'engrenage	1	104605
10	Gear box	Boîte d'engrenage	1	102205
11	V pulley	Poulie en V	1	102043
12	Key 3/16" x 3/16" x 1.000"	Clé 3/16" x 3/16" x 1.000"	1	102379
13	Key 8 x 7 x 25mm	Clé 8 x 7 x 25mm	1	102030
14	Gear box guard	Garde de la boîte d'engrenage	1	102285
15	Hex. bolt 3/8" n.c. x 4"	Boulon hex. 3/8" n.c. x 4"	3	O/L
16	Delrin bushing	Coussinet Delrin	6	103482
17	Special washer	Rondelle spéciale	1	102429
18	Bearing with set screw	Roulement à billes avec vis à pression	1	102864
19	Drive shaft	Arbre de commande	1	104063
20	Flange nut 3/8" n.c.	Écrou à bride 3/8" n.c.	8	O/L
21	Flat washer 7/16" hole	Rondelle plate 7/16" trou	4	O/L
22	Hex. bolt 3/8" n.c. x 3/4"	Boulon hex. 3/8" n.c. x 3/4"	4	O/L
23	Spacer	Douille	1	102286
24	Idler sprocket	Pignon tendeur	1	102027
25	Spacer	Espaceur	1	102241
26	Hex. bolt 3/8" n.c. x 2 1/2"	Boulon hex 3/8" n.c. x 2 1/2"	1	O/L
27	Hex. bolt 5/16" n.c. x 3/4"	Boulon hex. 5/16" n.c. x 3/4"	8	O/L
28	Carriage bolt 5/16" n.c. x 3/4"	Boulon à carrosserie 5/16" n.c. x 3/4"	2	O/L
29	Collar	Collet	2	102402
30	Flange nut 5/16" n.c.	Écrou à bride 5/16" n.c.	11	O/L
31	Broom frame	Châssis du balai	1	104315
32	Roll pin 3/16" x 3/4"	Goupille roulée 3/16" x 3/4"	1	O/L
33	Rocker arm	Culbuteur	1	102282
34	Retaining ring	Bague de retenue	1	102377
35	Latch rod	Tige de loquet	1	102287

PARTS LIST / LISTE DES PIÈCES

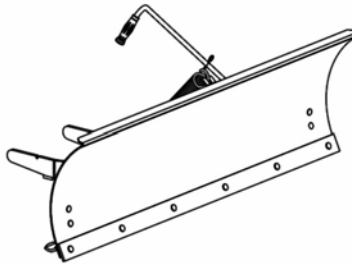
Ref. Réf.	English description	Description française	Qty. Qté.	Part # Pièce #
36	Rod link	Tige de raccord	1	104072
37	Retaining ring	Bague de retenue	3	102378
38	Latch shaft	Arbre du loquet	1	102198
39	Cotter pin 5/32" x 1"	Goupille fendue 5/32" x 1"	3	O/L
40	Spring holder	Support de ressort	1	102197
41	Spring	Ressort	1	102201
42	Spring 1/2"	Ressort 1/2"	1	102003
43	Gauge	Jauge	1	102367
44	Special nut	Écrou spécial	1	102288
45	Adjustment screw	Vis d'ajustement	1	102200
46	Control rod	Tige de contrôle	1	102291
47	Joint block	Bloc de joint	1	102275
48	Hair pin 2.5mm	Goupille à ressort 2.5mm	4	102013
49	Handle	Poignée	1	102292
50	Bearing with set screw	Roulement à billes avec vis à pression	2	102755
51	Hex. bolt 5/16" n.c. x 3 1/2"	Boulon hex. 5/16" n.c. x 3 1/2"	1	O/L
52	Brush hollow shaft	Arbre de brosse	1	104064
53	Hood	Capot	1	104316
54	Tapping screw 1/4"-14 x 1/2"	Vis taraudeuse 1/4"-14 x 1/2"	8	O/L
55	Wheel fork	Fourche de la roue	2	104458
56	Latch	Loquet	1	102283
57	Flangette	Flangette	4	102212
58	Flange nut 1/4" n.c.	Écrou à bride 1/4" n.c.	4	O/L
59	Roller chain #40 x 86 links/conn.link	Chaîne # 40 x 86 mailles/maille acc.	1	102375
60	Connecting Link #40	Maille d'accouplement #40	1	102040
61	Hex. socket set screw 5/16" n.c. x 5/16"	Vis à pression hex. 5/16" n.c. x 5/16"	2	O/L
62	Important decal	Décalque important	1	102386
63	Warning decal	Décalque warning	1	102384
64	Important decal	Décalque important	1	102387
65	Attention decal	Décalque attention	1	102385
66	Serial number	Numéro de série	1	REF
67	Berco decal	Décalque Berco	1	102471
68	Flangette	Flangette	2	102680
69	Nylon brush	Brosse en nylon	1	104065
70	Polypropylene brush	Brosse de polypropylène	1	104010

ATTACHMENTS



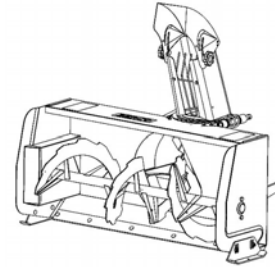
ROTARY TILLER #700312

Mounts to the rear of lawn, yard & garden tractors 14 to 25 HP. Comes complete with drive & manual lift mechanisms & mounting hardware.



UTILITY BLADE #700266

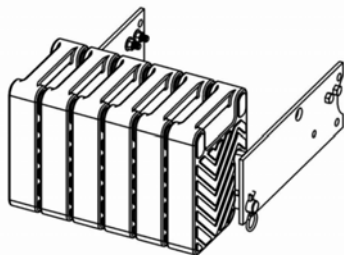
Mounts on the same subframe as the snowblower & rotary broom.



SNOWBLOWER

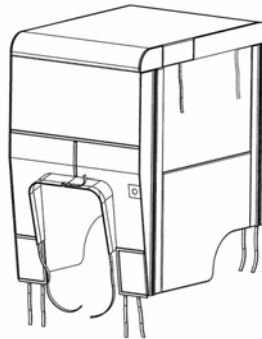
#700255 40"
#700374-44"
#700378-48"

Fits on same subframe as rotary broom and utility blade.



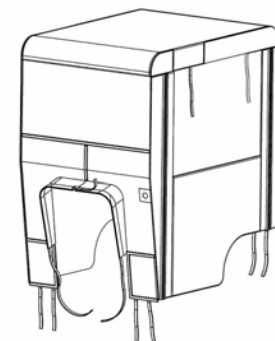
COUNTERWEIGHT

#700240 Universal rear weights
#700246 Rear weights Electrolux
Required for safety and traction.
Counterbalances weight of attachment.



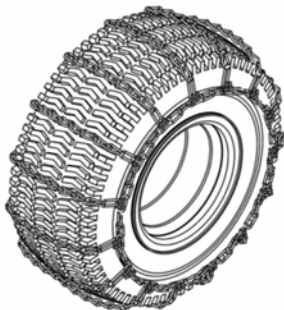
**TRACTOR SCREEN CAB
#700424**

Universal type fits on a wide variety of lawn and garden tractors.



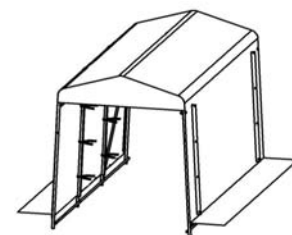
**TRACTOR WINTER CAB
#700423**

Universal type fits on a wide variety of lawn and garden tractors.



TIRE CHAINS

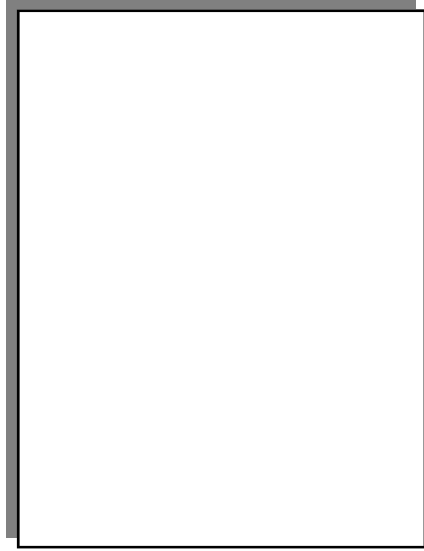
Two link spacing. Required for traction and safety.
Pkg. of 2



**TRACTOR / A.T.V. SHELTER
#700438**

Especially designed to put away your tractor or A.T.V with it's accessory.

NOTES



Spécialement conçu pour remettre votre tracteur ou V.T.T. avec son accessoire.

ABRI POUR TRACTEUR & V.T.T. #700438

Emb. de 2
 Requises pour une meilleure traction et une plus grande sécurité.
 Espacement à chaque deux mailles.

CHAÎNES À PNEUS

Type universel qui s'adapte sur la plupart des tracteurs de jardin & pelouse.

CABINE D'HIVER POUR TRACTEUR #700423

Type universel qui s'adapte sur la plupart des tracteurs de jardin & pelouse.

CABINE MOUSTIGUARE POUR TRACTEUR #700424

#700240 contrepoids arrière universel. Electrolux. Requises pour une plus grande sécurité et une meilleure traction. Contrebalance le poids des attachements.

CONTREPOIDS

S'installe sur le même sous-châssis que le balai rotatif et la lame utilitaire.

#700255 40"
#700374 44"
#700378 48"

SOUFFLEUSE

S'installe sur le même sous-châssis que la souffleuse & balai rotatif.

LAME UTILITAIRE #700266

S'installe à l'arrière des tracteurs de pelouse, cours & jardin de 14 à 25 c.v. Inclus le mécanisme d'entraînement & de relevage manuel ainsi que le nécessaire de montage.

ROTOCULTEUR #700312

ACCESSOIRES

DÉPANNAGE

PROBLEME	CAUSES POSSIBLES	ACTION CORRECTIVE
<p>La brosse use prématurément ou s'use de façon inégale.</p> <p>La brosse tourne en cahotant.</p>	<p>Mauvais ajustement de la pression sur la brosse.</p> <p>Trop de pression sur la brosse, l'usure de la brosse, l'usure des pointes des poils comme un balai et non avec les côtés des poils comme une vadrouille.</p> <p>Maintenir la jauge égale avec le haut du châssis de la boîte d'engrenage ou plus bas pour le balayage des surfaces dures.</p>	<p>Nettoyer fréquemment l'intérieur et l'extérieur du capot. L'accumulation de terre, boue, glace, etc. ajoute du poids sur la brosse et peut accélérer l'usure de la brosse.</p>
<p>La brosse est trop agressive lorsqu'on l'utilise pour le déchaumage et le ratelage des feuilles.</p> <p>La brosse ne tourne pas sur le gazon.</p>	<p>Trop de pression sur la brosse.</p> <p>Abaisser le balai sur une surface dure et lever la brosse à 1" du sol en tournant la vis d'ajustement dans le sens des aiguilles d'une montre. Réajuster de temps en temps si nécessaire.</p>	<p>Ne pas lubrifier durant l'utilisation. Attendre à la fin du travail.</p> <p>Laver le balai rotatif et lubrifier la chaîne.</p> <p>Faites tourner la brosse pour faire pénétrer l'huile dans la chaîne.</p>
<p>La chaîne use prématurément.</p> <p>Lubrification inappropriée.</p>	<p>Ne pas lubrifier durant l'utilisation. Attendre à la fin du travail.</p> <p>Laver le balai rotatif et lubrifier la chaîne.</p> <p>Faites tourner la brosse pour faire pénétrer l'huile dans la chaîne.</p>	<p>Vérifier fréquemment l'ajustement de la chaîne (trop serrée ou trop détendue).</p>
<p>La brosse tourne en sens inverse.</p> <p>Courroie mal installée.</p>	<p>Enlever la courroie et installer tel qu'expliqué dans le Manuel du Propriétaire du sous-châssis, section installation balai.</p>	<p>Réduire la pression sur la brosse.</p> <p>Si le problème persiste, contacter votre marchand pour de plus amples informations.</p>
<p>Le pignon tendeur use prématurément.</p> <p>Chaîne mal ajustée.</p>	<p>Vérifier fréquemment l'ajustement de la chaîne (trop serrée ou trop détendue).</p>	<p>Le balai n'a pas été entreposé sur les pieds de stationnement.</p> <p>Laver la brosse avec de l'eau tiède ou avec de la vapeur tiède. Laisser en position relevée, faites tourner quelque tours. La brosse devrait reprendre sa forme originale.</p>
<p>Perte de conduite.</p> <p>Trop de pression sur la brosse.</p>	<p>Le balai n'a pas été entreposé sur les pieds de stationnement.</p> <p>Laver la brosse avec de l'eau tiède ou avec de la vapeur tiède. Laisser en position relevée, faites tourner quelque tours. La brosse devrait reprendre sa forme originale.</p>	<p>Les poils prennent un mauvais pli ou se déforment.</p>

ENTRETIEN & DÉMONTAGE

ENTRETIEN

1. Vérifier le niveau d'huile de la boîte d'engrenage à tous les cinquante heures et remplir jusqu'au bouchon avec de l'huile SAE-90-EP lorsque nécessaire.

2. Graisser les essieux des roues aux huit heures d'utilisation.

3. Chaîne de roulement: ne pas lubrifier lors de l'utilisation dans des conditions poussiéreuses. Lorsque le travail terminé, laver et lubrifier.

4. Ajuster la chaîne de roulement fréquemment en déplaçant le pignon libre et régler la tension à 1/2" de fléchissement sur la longueur de la chaîne.

5. Nettoyer fréquemment l'intérieur et l'extérieur du capot pendant l'opération. L'accumulation de terre, boue, glace, etc. ajoute du poids sur la brosse et peut accélérer l'usure de la brosse.

6. Vérifiez les boulons de montage fréquemment afin de prévenir une réparation coûteuse. Assurez-vous que votre balais rotatif est en condition de travailler sécuritairement.

7. Lubrifiez tous les points pivotants.
REMPLACEMENT DE LA BROSSSE
 Voir la nomenclature des pièces pour identification des pièces

1. Enlever le capot (item 53).
2. Desserrer le pignon tendeur (item 24) de la chaîne.

3. Enlever les boulons (item 22) des deux flangettes (item 68) qui retiennent l'arbre de la brosse.
4. Enlever l'arbre de la brosse (item 52) du châssis du balais (item 31).

5. Enlever le roulement droit (item 50) de l'arbre de la brosse en desserrant les vis à six pans creux.

6. Enlever le boulon (item 51) qui retient la brosse à l'arbre de la brosse.

7. Enlever la brosse de l'arbre de la brosse.

8. Installer la nouvelle brosse en renversant les étapes.

9. Réajuster la tension de la chaîne en déplaçant le pignon tendeur et régler la tension à 1/2" de fléchissement sur la longueur de la chaîne.

DÉMONTAGE

1. Choisir une surface égale, appliquer le frein de stationnement, arrêter le moteur, enlever la clé du moteur pour prévenir des démarrages accidentels.

2. Remettre le balai droit, perpendiculaire au tracteur.

3. Allonger les pieds de stationnement et bloquer en place. Assurez-vous que les poils de la brosse ne touchent jamais au sol.

4. Abaisser le balai au sol.
5. Enlever la goupille à ressort de la manivelle et enlever la manivelle.

6. Desserrer et enlever la courroie de la poulie d'entraînement du tracteur et de les poulies du tracteur ou déconnecter et enlever l'arbre à cardan, si applicable.

7. Détacher le balai du sous-châssis en levant les ressorts de blocage et en tirant le balai un côté à la fois.

8. Enlever les contrepois arrière.

ENTREPOSAGE DE FIN DE SAISON

1. Nettoyer le balai et l'intérieur du capot.
2. Lubrifier tous les embouts de graissage et tous les pièces mobiles.

3. Entreposer le balai sur les pieds de stationnement. Assurez vous que les poils de la brosse ne touche jamais le sol.

4. Si les poils sont directement exposés au soleil, recouvrir la brosse d'une toile.

5. Entreposer la brosse dans un endroit sec.

OPÉRATION

ATTENTION

ATTENTION

POUR PRÉVENIR DES BLESSURES & OBTENIR UNE MEILLEURE TRACTION LORS DE L'UTILISATION D'UN ACCESSOIRE:

-Des contre poids arrière, minimum de 100 lb sont requis afin de contrebalancer le poids de l'attache ment.

-Châssis à pneus approuvés par le fabricant sont requis en hiver.

-Ne pas opérer dans une pente de plus de 10°.

-Lors du démontage de l'accessoire, enlevez les contre poids arrière.

ATTENTION

ATTENTION

AVANT DE FAIRE N'IMPORTE QUEL AJUSTEMENT:

Arrêtez le moteur.

Appliquez le frein de stationnement.

Enlevez la clé du contact.

Débrancher le fil de la ou des bougie(s) et gardez-le éloigné de la ou des bougie(s) pour prévenir un démarrage accidentel.

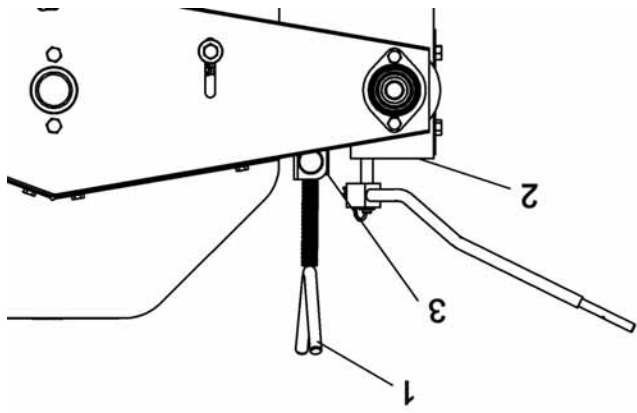
AJUSTEMENT DE L'ANGLE DU BALAI ROTATIF

En tournant la poignée dans le sens contraire des aiguilles d'une montre, vous déverrouillez la barre et en tirant ou poussant, vous ajustez l'angle de 20° chaque côté.

AJUSTEMENT DE LA PRESSION DE LA BROSSSE AU SOL:

En tournant la vis d'ajustement (item 1) dans le sens contraire des aiguilles d'une montre, la jauge (item 3) se déplace vers le haut et la pression sur la brosse au sol augmente. Lorsque vous tournez la vis d'ajustement dans le sens des aiguilles d'une montre, la pression sur la brosse au sol diminue et la jauge se déplace vers le bas.

IMPORTANT: Maintenir la jauge (item 3) égale avec le haut du châssis de la boîte d'engrenage (item 2) ou plus bas pour le balayage des surfaces dures. Ajuster fréquemment pour compenser l'usure de la brosse. Toujours utiliser la brosse avec les pointes des poils comme un balai et non avec les côtés des poils comme une vadrouille. Trop de pression pourrait réduire la durée de vie de la brosse de 95%.

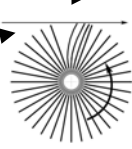


Ajuster la pression sur la brosse

Ne balayer pas avec le côté des poils!



Trop de pression=Réduit la vie de la brosse!



Surface de la route

Balayer avec les pointes des poils!

Action d'époussetage

Nettoyez les accumulations de neige et de glace sur et sous le capot du balai fréquemment.

DÉCHAUMAGE ET RÂTELAGE DES FEUILLES

Abaissez la brosse sur une surface dure et lever la brosse à 1" du sol en tournant la vis ajustable dans le sens des aiguilles d'une montre. Cet ajustement donne normalement satisfaction. Cependant, vous pouvez lever ou abaisser la brosse selon la longueur du gazon. La brosse est supportée par des roues pivotantes.

NOTE: Les objets étrangers dans la neige pourraient être projetés plus loin que la neige elle-même.

Nettoyez les accumulations de neige et de glace sur et sous le capot du balai fréquemment.

DÉCHAUMAGE ET RÂTELAGE DES FEUILLES

Abaissez la brosse sur une surface dure et lever la brosse à 1" du sol en tournant la vis ajustable dans le sens des aiguilles d'une montre. Cet ajustement donne normalement satisfaction. Cependant, vous pouvez lever ou abaisser la brosse selon la longueur du gazon. La brosse est supportée par des roues pivotantes.

BALAYAGE DE LA NEIGE

Minimisez la poussière en réduisant la vitesse de la brosse et en balayant après la pluie ou lors d'une journée très humide.

BALAYAGE GÉNÉRAL

Minimisez la poussière en réduisant la vitesse de la brosse et en balayant après la pluie ou lors d'une journée très humide.

ASSEMBLAGE

ÉTAPE 2

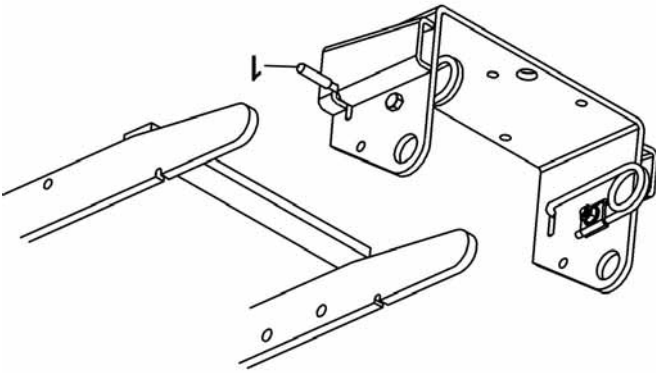
INSTALLATION DU BALAI ROTATIF

ATTENTION



POUR PRÉVENIR DES BLESSURES:
 Arrêtez le moteur.
 Appliquez le frein de stationnement.
 Enlevez la clé du contact.
 Débranchez le fil de la ou des bougie(s) et gardez-le éloigné de la ou des bougie(s) pour prévenir un démarrage accidentel.

Attacher le balai rotatif au sous-châssis tel qu'illustré.
 Assurez-vous que le balai rotatif est bien inséré jusqu'à ce que les ressorts (item 1) le bloque bien en place.



Attacher le balai au sous-châssis

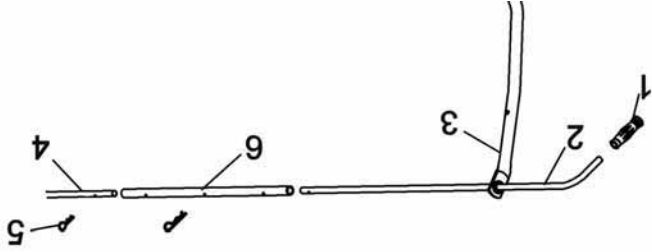
Suivre les instructions pour l'installation de la courroie dans le feuillet d'instructions de l'adaptateur et dans le manuel du propriétaire du sous-châssis.

INSTALLATION DE LA MANIVELLE:

Installer le poignée 1/2 x 3" (item 1) sur la manivelle (item 2).
 Insérer la manivelle dans l'œillet de plastique dans le support de manivelle (item 3) et sur la tige de contrôle (item 4). Sécuriser avec une goupille à ressort de 2,5 mm (item 5).
NOTE: S'il y a une extension de manivelle (item 6) incluse avec le sous-châssis, installer entre la tige de contrôle (item 4) et la manivelle (item 2).

VÉRIFIER LA PRESSION DES PNEUS:

Vérifier et régler la pression des pneus comme suit:
 Pneus avant: 14-15 psi
 Pneus arrière: 7-8 psi
 La pression des pneus doit être égale des deux côtés du tracteur.



Installer la manivelle

DANGER



NE JAMAIS OPÉRER LE BALAI ROTATIF SANS:

Le capot de la brosse
 Le garde-courroie
 Le garde-pour la boîte d'engrenage
 Le garde-d'extension
 Tout autre dispositif de sécurité en place.

ASSEMBLAGE

ÉTAPE 1

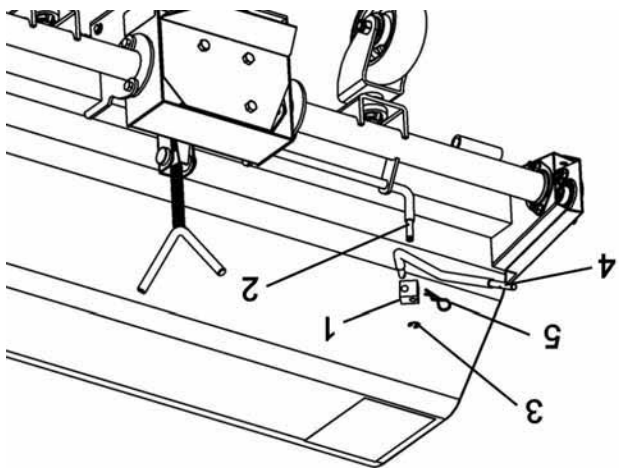
PRÉPARATION DU BALAI ROTATIF

IMPORTANT: SERREZ TOUTS LES BOULONS SELON LA TABLE DES SPÉCIFICATIONS DE COUPLE (VOIR SECTION ANGLAISE, "TORQUE SPECIFICATION TABLE") LORSQU'UNE SPÉCIFICATION DE SERREMENT EST SPÉCIFIÉE. SERREZ FERMEMENT. RÉFÉREZ-VOUS À LA NOMENCLATURE DES PIÈCES POUR IDENTIFICATION DES PIÈCES.

Voir le feuillet d'instructions de montage de l'adaptateur pour la préparation et l'installation de l'adaptateur.

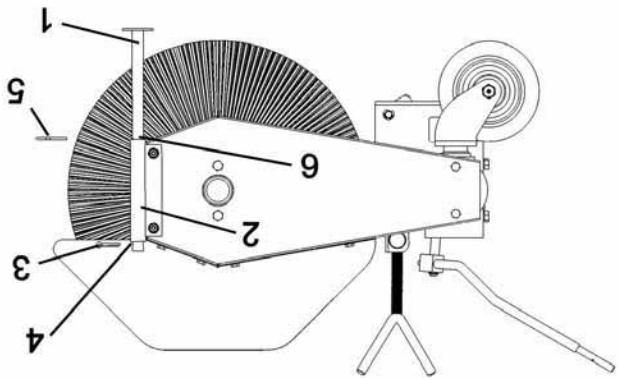
Installer le bloc de joint (item 1) sur la tige du loquet (item 2) et sécuriser avec une bague de retenue (item 3).

Installer la tige de contrôle (item 4) dans le bloc de joint (item 1) et sécuriser avec une goupille à ressort de 2,5 mm (item 5).



Préparer le balai

Installer les pieds de stationnement (item 1) dans les supports de pied (item 2). Sécuriser avec une goupille fendue de 5/32 x 1" (item 3) dans le trou supérieur (item 4) et une goupille à ressort (item 5) dans le trou inférieur (item 6) de chaque pied de stationnement. Cela permet au balai de reposer sur ses pieds.



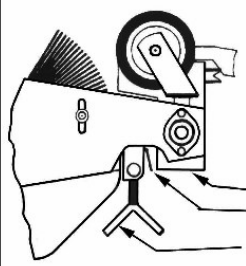
Installer les pieds de stationnement

DÉCALQUES DE SÉCURITÉ

REMPLACER LES DÉCALQUES SI ENDOMMAGÉS.
VOIR LA NOMENCLATURE DES PIÈCES POUR L'EMPLACEMENT DES DÉCALQUES

IMPORTANT

LISEZ ATTENTIVEMENT LE MANUEL DU PROPRIÉTAIRE AVANT D'UTILISER



• ABaissez la brosse au sol et à l'aide de la poignée d'ajustement, en tournant dans le sens horaire, levez la brosse de 1" au dessus du sol, essayez de cette façon et selon la longueur du gazon, vous pouvez réajuster.

102387

Décalque #102387

ATTENTION

POUR ÉVITER DES BLESSURES:

- LISEZ ATTENTIVEMENT LE MANUEL DU PROPRIÉTAIRE AVANT D'UTILISER L'ÉQUIPEMENT, SUIVRE LES INSTRUCTIONS D'OPÉRATION & DE SÉCURITÉ.
- DES VÉRRES DE SÉCURITÉ DOIVENT ÊTRE PORTÉS PAR L'OPÉRATEUR EN TOUT TEMPS.
- GARDEZ TOUTE PERSONNE PARTICULIÈREMENT LES ENFANTS & LES ANIMAUX ÉLOIGNÉS DES LIEUX D'OPÉRATION.
- NE JAMAIS BALAYER PRÈS DES GENS, DES BÂTIMENTS, DES AUTOMOBILES, ETC...
- AVANT D'EFFECTUER L'ENTRETIEN OU DES RÉPARATIONS, DÉBRAYEZ LE BALAI, ARRÊTEZ LE MOTEUR, ENLEVEZ LA CLÉ DE CONTACT, APPLIQUEZ LE FREIN DE STATIONNEMENT ET ASSUREZ-VOUS QUE TOUTES LES PIÈCES EN MOUVEMENT SONT ARRÊTÉES.
- GARDEZ LA BROSSE LOIN D'UNE SOURCE DE CHALEUR INTENSE OU DES FLAMMES.
- NE TOLÉREZ AUCUN PASSAGER SUR LE TRACTEUR OU LE BALAI.
- NE PAS OPÉRER LE BALAI OU LE TRACTEUR SANS LES ÉCRANS PROTÉCTEURS EN PLACE.
- TENEZ-VOUS LOIN DES PIÈCES ROTATIVES.
- TOUJOURS UTILISER UN MASQUE CONTRE LA POUSSIÈRE LORSQUE VOUS TRAVAILLEZ DANS DES ENDROITS POUSSIÉREUX.
- 100 LBS MINIMUM DE CONTRAPOIDS EST REQUIS POUR CONTRÉBALANCER LE POIDS DU BALAI.
- EN HIVER, DES CHAINES À PNEUS APPROUVÉES SONT REQUISES.


102385

Décalque #102385

PRÉCAUTIONS SÉCURITAIRES

ENTRETIEN ET ENTREPOSAGE:

1. Vérifiez les boulons de montage à intervalles fréquents pour s'assurer qu'ils soient bien serrés.
2. Ne jamais entreposer la machine avec de l'essence dans le réservoir à l'intérieur d'une bâtisse où il y a des sources d'ignition comme des réservoirs d'eau chaude, sècheuses, source de chaleur, etc... Laisser refroidir le moteur avant de l'entreposer à l'intérieur.
3. Toujours se référer au manuel d'instructions de l'opérateur lorsque vous entreposez le balai rotatif.
4. Maintenez ou remplacez les décalques de sécurité et d'instructions au besoin.
5. Inspectez le filtre à air du tracteur chaque jour. Nettoyez-le ou remplacez-le. Changez l'huile plus fréquemment lorsque vous travaillez dans des conditions poussiéreuses. Voir le manuel du propriétaire du tracteur.

LORSQUE VOUS VOYEZ CE SYMBOLE

 CELA SIGNIFIE:
 ATTENTION!
 SOYEZ PRUDENT!
 VOTRE SÉCURITÉ EST EN CAUSE!

POUR PRÉVENIR DES BLESSURES & OBTENIR UNE MEILLEURE TRACTION LORS DE L'UTILISATION DE L'ACCESSOIRE:
 -Des contrepoids arrière, minimum de 100 lb sont requis afin de contrebalancer le poids de l'accessoire.
 -Chaînes à pneus approuvées par le manufacturier sont requises.
 -Ne pas opérer dans une pente de plus de 10°. Lors du démontage de l'accessoire, enlevez les contrepoids arrière.

ATTENTION



5. Prenez toutes les précautions nécessaires lorsque vous quittez votre tracteur: débrayez et abaissez le balai rotatif, placez la transmission en position neutre, appliquez le frein de stationnement, arrêtez le moteur et enlevez la clé.
6. Lorsque vous nettoyez, réparez ou inspectez le balai rotatif, soyez assuré que toutes les pièces rotatives sont arrêtées. Débranchez le fil de la ou des bougie(s) et gardez-le éloigné de la ou des bougie(s) afin de prévenir des démarrages accidentels.
7. Ne faites pas tourner le moteur à l'intérieur, excepté pour démarrer, entrer ou sortir du bâtiment. Ne pas opérer ou faire tourner le moteur dans un endroit sans ventilation car l'essence contient du monoxyde de carbone qui est sans odeur, sans couleur et peut causer la mort.
8. Ne jamais nettoyer sur la façade d'une pente. Prenez toutes les précautions lorsque vous changez de direction dans une pente. Ne pas tenter de nettoyer une pente abrupte.
9. Ne jamais utiliser le balai rotatif sans que les écrans protecteurs et les dispositifs de sûreté soient bien en place.
10. Ne tolérer jamais personne dans la zone de travail. Ne jamais balayer en direction des gens, la brosse peut projeter des cailloux ou des débris qui peuvent blesser les gens ou briser ou endommager les biens.
11. Pour balayer la neige, utiliser des chaînes approuvées par le manufacturier. Vous devez installer 100 lb minimum de contrepoids en arrière du tracteur pour une meilleure traction et une plus grande stabilité en tout temps lorsque le balai rotatif est installé à l'avant.
12. Ne jamais opérer le balai rotatif à haute vitesse sur les surfaces glacées. Soyez prudent lorsque vous reculez.
13. Ne jamais transporter de passagers.
14. Débrayez le pouvoir du balai rotatif lorsqu'il doit être transporté ou qu'il n'est pas utilisé.
15. Ne jamais opérer le balai rotatif sans une bonne visibilité ou éclairage.
16. Gardez le matériel de la brosse éloigné de la chaleur ou des flammes.
17. Toujours utiliser un masque contre la poussière lorsque vous travaillez dans des endroits poussiéreux.

PRÉCAUTIONS SÉCURITAIRES

Une opération prudente est votre meilleure assurance contre un accident. Lisez cette section attentivement avant d'opérer le tracteur et du balai rotatif. Tous les opérateurs, peu importe leur expérience, devraient lire ce manuel et tout autre manuel relatif au tracteur et au balai rotatif avant l'opération. C'est l'obligation légale du propriétaire d'enseigner à tous les opérateurs comment utiliser le balai rotatif d'une façon sécuritaire.

FORMATION:



Le symbole d'avertissement sécuritaire est utilisé partout dans ce manuel et sur les décalques de sécurité pour vous aviser des possibilités de blessures sérieuses, S.V.P., portez une attention particulière à la lecture et à la compréhension des précautions sécuritaires avant d'opérer le tracteur ou le balai rotatif.

1. Lisez ce Manuel du Propriétaire attentivement. Soyez complètement familier avec les contrôles et l'utilisation du balai rotatif. Sachez comment arrêter l'unité et débrayer les contrôles rapidement.

2. Ne permettez jamais à un enfant d'opérer le tracteur ni le balai rotatif. Ne permettez jamais à un adulte d'opérer le tracteur ni le balai rotatif sans qu'il ait la formation nécessaire.

3. Personne ne doit opérer le tracteur ni le balai rotatif si cette personne est sous l'influence de l'alcool, des drogues ou médicaments. Ceux-ci affaiblissent les facultés et diminuent le temps de réaction.

4. Gardez l'endroit d'opération libre de toute personne, particulièrement de jeunes enfants ou animaux domestiques.

PRÉPARATION:

1. Faites une inspection complète de l'endroit où le balai rotatif sera utilisé et enlevez les essuie-pieds ou tout autre objet étranger.

2. Débrayez tous les embrayages et passer au neutre avant de démarrer le moteur.

3. Ne jamais opérer le balais rotatif sans porter des vêtements adéquats. Éviter les vêtements et accessoires rotatifs qui pourraient se prendre dans les pièces rotatives. Portez des chaussures anti-dérapantes qui vont vous aider à garder l'équilibre sur les surfaces glacées.

4. Manipulez l'essence avec précaution, il est extrêmement inflammable.

a) Utilisez un contenant à essence approuvé.
b) Ne jamais ajouter de l'essence quand le moteur est chaud ou en marche.
c) Remplissez le réservoir à essence à l'extérieur avec extrême prudence. Ne jamais remplir le réservoir à l'intérieur.

d) Ne jamais remplir les contenants à l'intérieur d'un véhicule ou sur un camion ou sur un camion plateforme avec une doublure de caisse. Toujours placer les contenants sur le sol loin de votre véhicule avant le remplissage.

e) Lorsque possible, enlever les équipements à essence du camion ou de la remorque et faire le plein d'essence au sol. Si ce n'est pas possible, faire le plein d'essence avec un contenant à essence portatif plutôt que directement de la pompe à essence.

f) Gardez le bec verseur en contact avec le rebords du réservoir d'essence ou de l'ouverture du contenant en tout temps, jusqu'au remplissage complet. Ne pas utiliser un dispositif de serrure ouvert sur le bec verseur.

g) Fermez le couvercle du réservoir fermement et essayez les éclaironnages.
h) Si vous renversez de l'essence sur les vêtements, changez les vêtements immédiatement.

4. Ne faites aucun ajustement lorsque le moteur est en marche (excepté lorsque cela est recommandé par le fabricant).

5. Toujours porter des lunettes de sécurité durant l'opération, pendant les ajustements ou des réparations pour protéger les yeux de tout objet qui pourrait être projeté.

6. Ne jamais modifier le balais rotatif ni aucune des pièces sans le consentement écrit du fabricant.

OPERATION:

1. Ne mettez jamais vos mains ou vos pieds près de ou sous les pièces rotatives.

2. Soyez prudent lorsque vous opérez sur ou que vous traversez les entrées en gravier, trottoirs, ou chemins. Redoublez de vigilance face aux dangers cachés ou au trafic.

3. Après avoir heurté un objet étranger, arrêtez le moteur, débranchez le fil de la ou les bougie(s) et gardez-le éloigné de la ou les bougie(s) pour prévenir un démarrage accidentel. Inspectez le balai rotatif s'il y a des dommages et réparez les dommages avant de réutiliser.

4. Si l'unité commence à vibrer anormalement, arrêtez le moteur et vérifiez la cause immédiatement. Les vibrations sont généralement des signes de problèmes.

INTRODUCTION

À L'ACHETEUR

Ce nouvel accessoire a été soigneusement conçu pour vous donner plusieurs années de bons services. Ce manuel a pour but de vous aider à utiliser prudemment votre accessoire.

NOTE: Toutes les photographies et illustrations de ce manuel peuvent ne pas être du modèle ou de l'accessoire en main et ne sont présentées qu'à titre de référence. Elles sont basées sur les dernières informations disponibles lors de la publication.

Familiarisez-vous avec les recommandations de sécurité et les procédures d'utilisation avant d'utiliser l'accessoire. Lisez et suivez attentivement ces recommandations et insistez pour qu'elles soient suivies par ceux qui se serviront de l'accessoire avec vous.



DANS CE MANUEL, CE SYMBOLE D'AVERTISSEMENT SÉCURITAIRE IDENTIFIE UN MESSAGE DE SÉCURITÉ IMPORTANT QUI VOUS AIDERA AINSI QUE TOUTE AUTRE PERSONNE À ÉVITER DES BLESSURES GRAVES ET MÊME LA MORT. DANGER, ATTENTION, PRÉCAUTION SONT DES MOTS D'AVERTISSEMENT POUR IDENTIFIER LES NIVEAUX DE DANGER. TOUJOURS, SOYEZ TOUJOURS EXTRÊMEMENT PRUDENT.

DANGER: Signifie un danger extrême qui causera des blessures graves ou même la mort, si les précautions recommandées ne sont pas respectées.

ATTENTION: Signifie un danger qui peut causer des blessures graves ou même la mort, si les précautions recommandées ne sont pas respectées.

PRÉCAUTION: Signifie un danger qui peut causer des blessures mineures si les précautions recommandées ne sont pas respectées.

Notez le numéro de série avec la date d'achat de votre accessoire (il n'y a pas de numéro de série attribué au sous-châssis) dans la section réservée ci-dessous. Votre détaillant exige cette information afin d'assurer un service rapide et efficace lorsque des pièces de rechange sont à commander. Remplacez les pièces défectueuses par des pièces d'origine seulement.

Si des réparations sur garantie sont nécessaires, veuillez présenter ce livret d'enregistrement et la facture de vente originale à votre concessionnaire.

Ce manuel devrait être conservé pour référence future.

S.V.P. Vérifier si vous avez reçu toutes les pièces de votre ensemble avec la liste du sac et liste de la boîte.

NUMÉRO DE SÉRIE:	_____
DATE D'ACHAT:	_____

Dans ce manuel, le côté droit et le côté gauche sont déterminés en étant assis sur le siège du tracteur et regardant vers l'avant.

Dans ce manuel, "accessoire" veut dire instrument que vous pouvez installer sur le tracteur comme, souffleuse, balai rotatif, lame, rotoculteur, cabine, sous-châssis etc....

TABLE DES MATIÈRES

PAGE		INTRODUCTION	2
		PRÉCAUTIONS SÉCURITAIRES	3
		DÉCALQUES DE SÉCURITÉ	5
		ASSEMBLAGE	
		Étape 1: Préparation du balai rotatif	6
		Étape 2: Installation du balai rotatif	7
		Installation de la manivelle	7
		Vérifier la pression des pneus	7
		OPÉRATION	
		Ajustement de l'angle du balai rotatif	8
		Ajustement de la pression de la brosse au sol	8
		Balayage général	8
		Balayage de la neige	8
		Déchaumage et râtelage des feuilles	8
		ENTRETIEN & DÉMONTAGE	
		Entretien	9
		Remplacement de la brosse	9
		Démontage	9
		Entreposage de fin de saison	9
		DÉPANNAGE	10
		ACCESSOIRES	17
		RÉFÉREZ-VOUS À LA SECTION ANGLAISE POUR:	
		TABLE DE SPÉCIFICATIONS DE COUPLE (Torque specification table)	11
		NOMENCLATURE ET LISTES DES PIÈCES DE RECHANGE	
		Balai rotatif	12

GARANTIE LIMITÉE

Couverture des Produits et Conditions

BERCOMAC garantit toute pièce ou accessoire fabriqué par BERCOMAC et trouvé, selon la discrétion raisonnable de BERCOMAC, être défectueux en matériel ou dans sa fabrication, sera réparé, remplacé ou ajusté par un marchand autorisé sans frais, jusqu'à concurrence maximale du taux horaire et du temps de réparation pré-établi. Pour le remplacement des pièces, seuls les frais de transport mode régulier sont couverts. Cette garantie est valide pour le premier propriétaire et ne peut être transférée à un autre propriétaire. La période de garantie débute à la date d'achat au détail.

Période de Garantie

(à partir de la date d'achat au détail):

- Usage Résidentiel: 1 an
- Location ou usage commercial: 90 jours

voir exception:

Les items suivants sont garanties par le manufacturier d'origine et ont leurs propres conditions et durée limitée.

- Chaînes à pneus: 90 jours
 - Moteurs fournis avec les équipements BERCO C : 2 ans
- Veillez vous référer à la garantie du manufacturier incluse avec l'unité. Bercomac n'est pas autorisé à agir concernant les garanties d'ajustement des moteurs.

Conditions et Items Non Couverts:

Cette garantie n'inclut pas ce qui suit:

- Frais pour ramassage, de livraison, ou service à domicile.
 - N'importe quel dommage ou détérioration de la marchandise, pièce ou finition due à l'utilisation normale, l'usure, bris et déchirure, ou l'exposition.
 - Frais relatifs à l'usage et à la maintenance régulière tels que lubrifiants, gazoline, huile, pièces de mise au point et ajustements.
 - N'importe quel pièce ou accessoire qui a été altéré, modifié, négligé, brisé accidentellement, mal installé, mal entretenu, remis ou réparé non conformément aux instructions dans le manuel du propriétaire.
 - N'importe quelle réparation due à l'usure normale des pièces tel que les goupilles de sécurité, boulons, courroies, etc.
 - Frais de transport en mode accéléré pour pièces de remplacement.
 - Boulons et goupilles de sécurité sont considérés comme une mesure préventive et ne sont pas une protection assurée. Tout dommage provenant d'un non fonctionnement n'est pas couvert.
- Note: Tout travail effectué sur garantie doit être exécuté par un marchand autorisé BERCOMAC utilisant des pièces de remplacement d'origine.

Note: BERCOMAC se réserve le droit de changer ou améliorer la conception de toute pièce et / ou accessoire sans assumer aucune

obligation à modifier les produits fabriqués auparavant.

Instructions pour Obtenir le Service sur Garantie

Contactez le marchand où vous avez acheté le produit ou tout autre marchand de service BERCOMAC pour fixer un rendez-vous à leur atelier. Pour localiser un marchand de votre choix, visiter notre site web au www.bercomac.com. Apporter le produit et votre preuve d'achat (facture) chez votre marchand de service BERCOMAC.

Responsabilité s du Propriétaire

Tous les produits ou pièces défectueuses BERCOMAC doivent être retournés chez un marchand de service autorisé à l'intérieur de la période de garantie, pour réparation. Dans le cas où la marchandise doit être retournée au manufacturier pour réparation, le marchand doit d'abord obtenir une autorisation écrite de BERCOMAC, frais de transport payé d'avance. Cette garantie s'étend uniquement à l'équipement qui est opéré sous condition normale. Pour qu'une réclamation soit valide, l'opérateur a la responsabilité d'entretenir et d'effectuer les routines de maintenance tel que spécifié dans le manuel du propriétaire ou de les faire effectuer chez un marchand autorisé à ses frais.

Conditions G n rales

L'engagement exclusif de BERCOMAC en regard de cette garantie s'arrête à la réparation et au remplacement tel que mentionné ci-dessus. BERCOMAC ne doit avoir aucune responsabilité pour aucun autre frais perte ou dommage incluant mais sans se limiter aucun dommages int r ts ou perte ou dommage subs uent

En particulier, BERCOMAC n'a aucun engagement ou responsabilité pour:

- Temps pour transport, surtemps, temps après les heures d'ouverture ou autre frais extraordinaires de réparation ou charges relatives aux réparations ou remplacement en dehors des heures normales de travail.
- Location d'équipement de remplacement similaire durant la période de garantie, réparation ou remplacement des travaux.
- N'importe quel frais téléphonique ou télégramme ou frais de transport.
- Perte ou dommage à une personne ou propriété autre que ceux couverts par les termes de cette garantie.
- N'importe quelle réclamation pour perte de revenus, perte de profits ou coûts additionnels résultant d'une réclamation d'un bris de garantie.
- Frais juridiques.

La responsabilité de BERCOMAC, en respect de la présente, se limite à couvrir la réparation et les pièces de remplacement et aucune réclamation d'un bris de garantie doit être la cause pour annulation ou résiliation de contrat de vente pour n'importe quel pièce ou accessoire.

Cette garantie vous donne des droits légaux spécifiques et vous pouvez également avoir d'autres droits qui varient d'état en état.

ATTENTION:
LIRE & SUIVRE TOUTES LES RÈGLES DE SÉCURITÉ & INSTRUCTIONS
AVANT D'UTILISER CET ÉQUIPEMENT

* ASSEMBLAGE * OPÉRATION
* PIÈCES DE RÉPARATION * ENTRETIEN

BERCO
Balai rotatif
pour tracteurs
PELOUSE, COUR & JARDIN
AVEC P.D.E. PAR ARBRE OU PAR COURBOIE



700316-2 (Brosse en polypropylène)

700286-2 (Brosse en nylon)

Modèle Numéro

MANUEL DU PROPRIÉTAIRE

BERCOMAC
LIMITÉE